

**HIGH PERFORMANCE ANTISLIP
INSERT DISC**

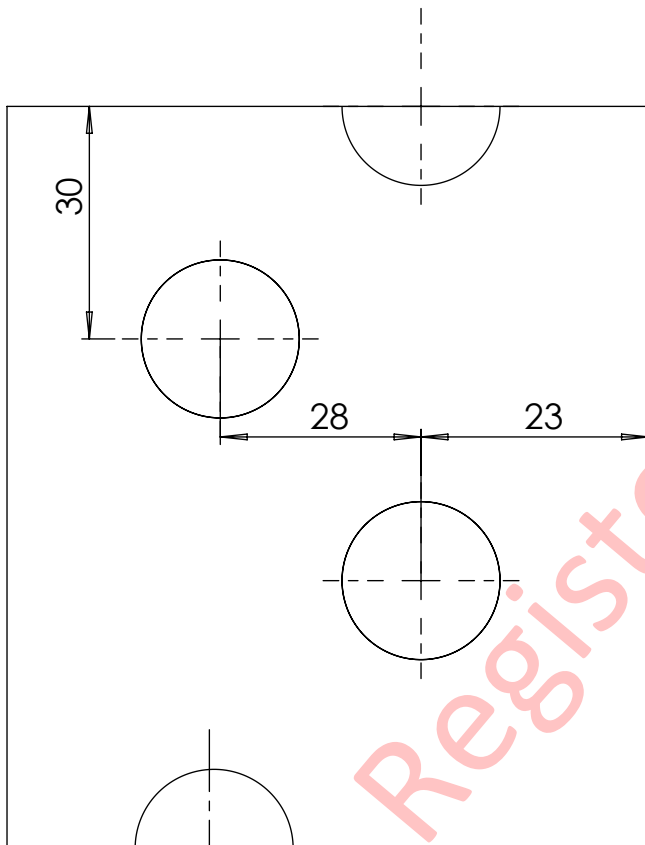
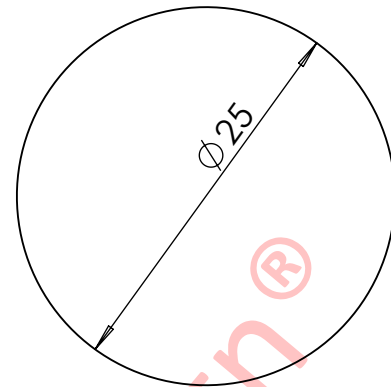
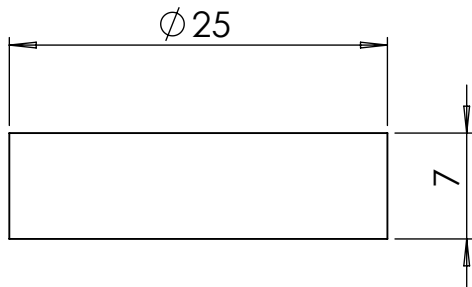
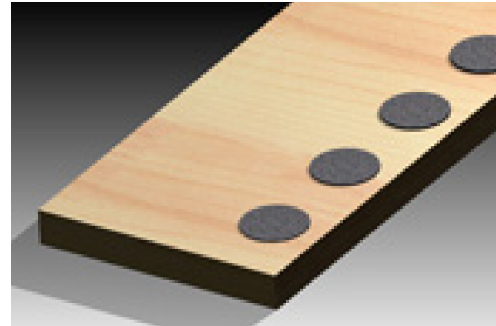


DATA SHEET: ASD25/7®	
DATE: Oct 2013	ISSUE: 2
ITEM: Insert Disc	

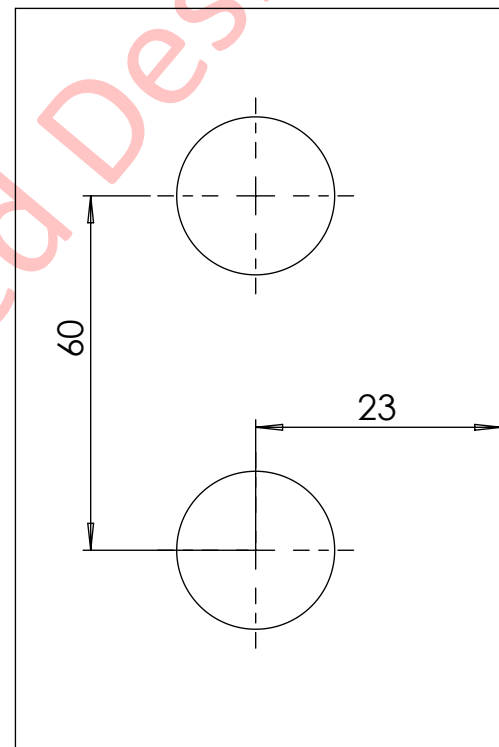
Item: AATi™ Resin-based Carburati® Insert Disc, type ASD25/7 with antislip particles bonded into the foot contact surface.

Application: For use on most stair and walkway surfaces, particularly smooth/polished wood, marble, stone etc which can be unacceptably slippery, particularly when wet.

Materials: MMA Resin Base. The standard colour is black but other RAL Colours are available. The finished colour required influences whether silicon carbide, aluminium oxide or quartz particles are used as the antislip ingredient.



Typical Installation - Two Rows



Typical Installation - Single Row

Special attention should be given to installation & drainage of this product. For further advice please speak to a member of AATi's technical department.
Dimensions shown are nominal and subject to AATi manufacturing tolerances.