

HIGH PERFORMANCE ANTISLIP ANTIWEAR
CAST METAL DRAINAGE GRILLE

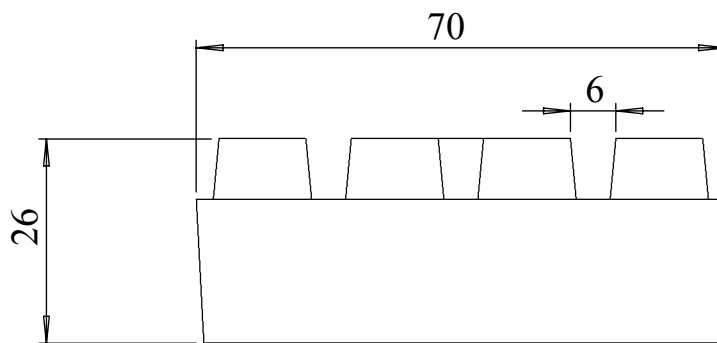
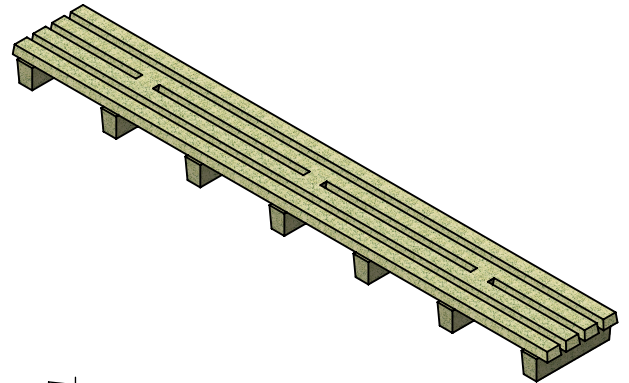


DATA SHEET: HG4/70	
DATE: July 2015	ISSUE: 3
ITEM: Drainage Grille	

Item: AATi™ HYFLO™ HG4/70 Drainage Grille, standard and special designs to suit application. Material and finish (with antislip surface) to match our cast metal stair nosings.

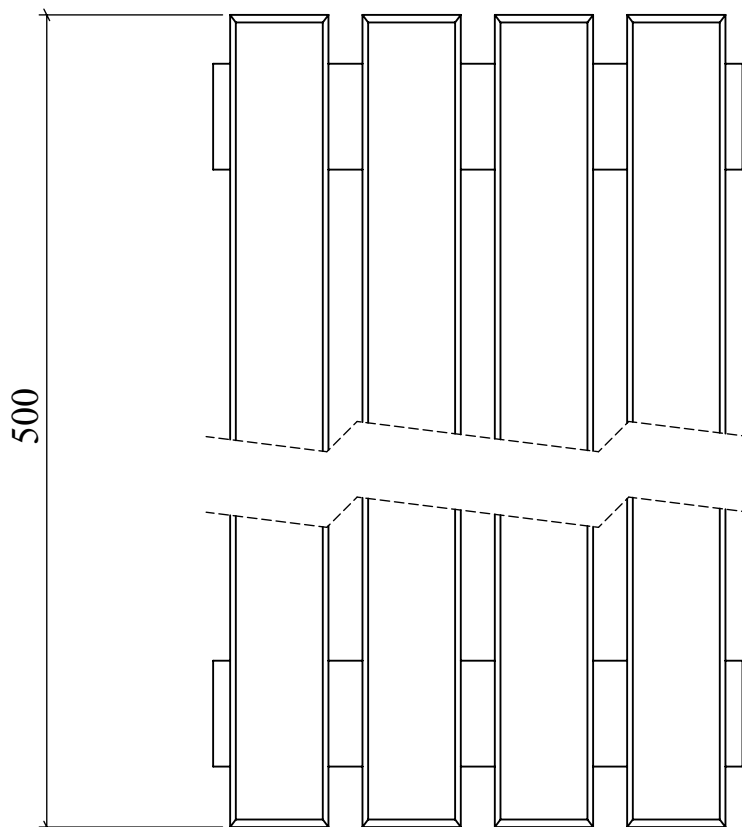
Application: This particular profile is designed for circumstances where drainage/standing water is apparent, for example, at the bottom of a stair case. This profile can be used in conjunction with stainless steel drainage channels.

Materials: The HG4/70 can be cast in the same material as AATi stair nosings; Nickel Bronze, Gunmetal, Cast Iron Aluminium in order to keep the same aesthetics.



Side view - Scale 1 : 1

***This Drawing Channel Has Been Designed With Heel Safety In Mind.**



Plan view - Scale 1 : 1

Special attention should be given to installation & drainage of this product. For further advice please speak to a member of AATi's technical department.

Dimensions shown are nominal and subject to AATi manufacturing tolerances.