

**HIGH PERFORMANCE ANTISLIP ANTIWEAR  
CAST METAL STAIR NOSING**



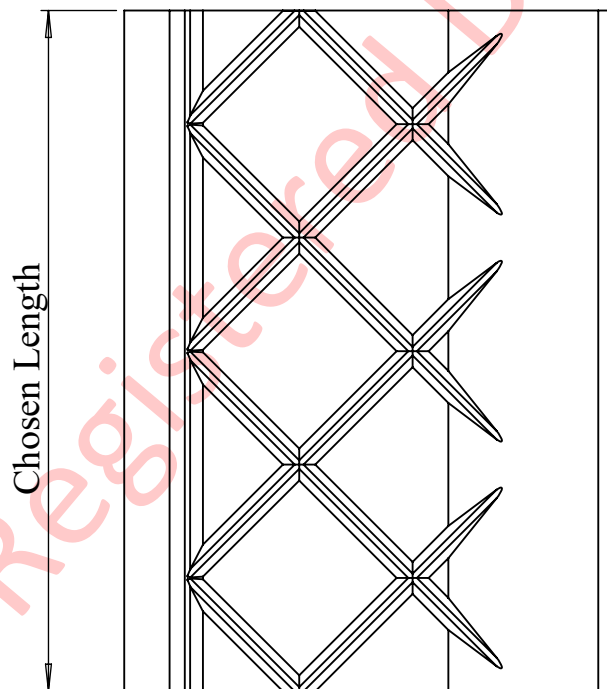
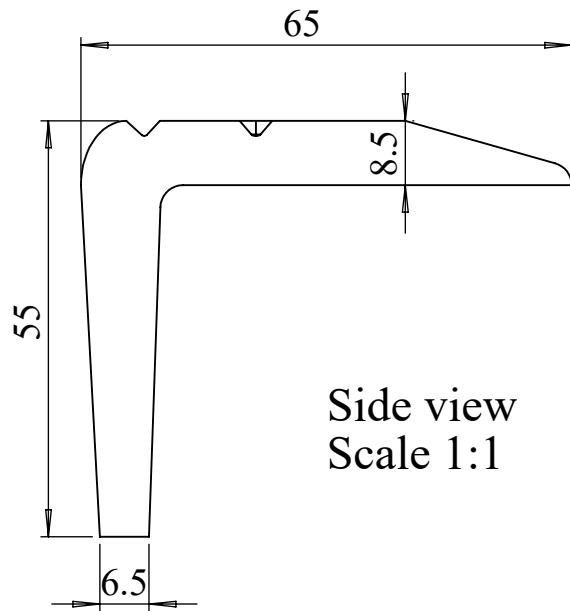
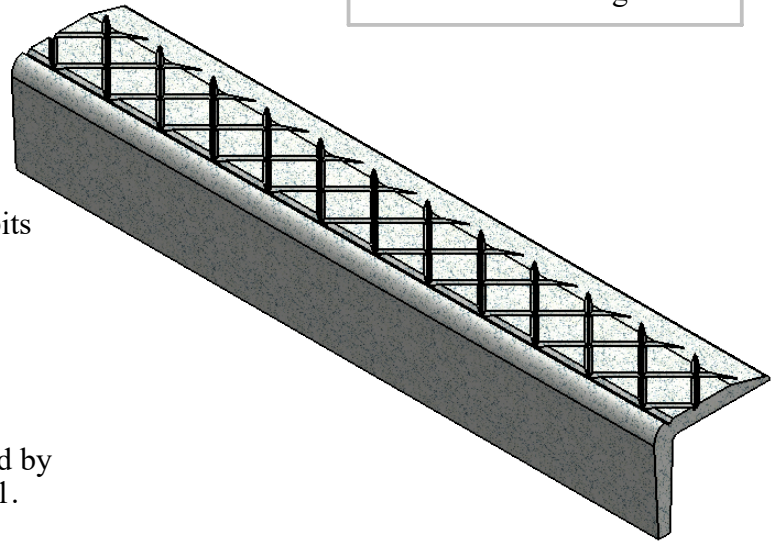
DATA SHEET:	SN9/65B <sup>®</sup>		
DATE:	Nov 2015	ISSUE:	2
ITEM:	Stair Nosing		

**Item:** AATi<sup>™</sup> type SN9/65B<sup>®</sup> - HDLT<sup>™</sup> stair nosing including bevelled back edge with silicon carbide granules cast into the metal matrix of the wearing surface.

**Application:** Whilst specifically designed around the physical requirements of Building Regulations (Document K), this stair nosing is suitable for many different applications and exhibits the same longevity and hard wearing/heavy duty characteristics as our larger profile nosings.

**Materials:** Nickel Bronze, Gunmetal, Aluminium & Cast Iron.

**HDLT<sup>™</sup> :** This is a registered design- Protected by European Registered Design No. 002178178-0001.



Special attention should be given to installation & drainage of this product. For further advice please speak to a member of AATi's technical department. Dimensions shown are nominal and subject to AATi manufacturing tolerances.