

AATi Recommended Installation Guidelines for casting into concrete



DATE	21/03/17
REVISION	1

1. Ensure the underside of the nosing is clean from dust/dirt or any other contaminants
2. Cut and appropriate size piece of damp proof course (Rubberoid - Hyload original DPC) to cover the entire side of nosing
3. Apply DPC to cover the entire internal face of the nosing and drill through holes in the nosing.
4. Insert M6 x 20 stainless steel countersunk pozi machine screws through nosing and DPC into AATi cast iron anchor blocks and tighten.
5. Position AATi nosing with DPC membrane into mould unit and protect as necessary to stop slurry getting on to visible surface of the nosing.
6. Mix and pour concrete.
7. Leave to set
8. Remove from mould as soon as possible and clean as necessary.

Fig 1. Section view of fixing detail for stair nosing- SN293/WL/307UR

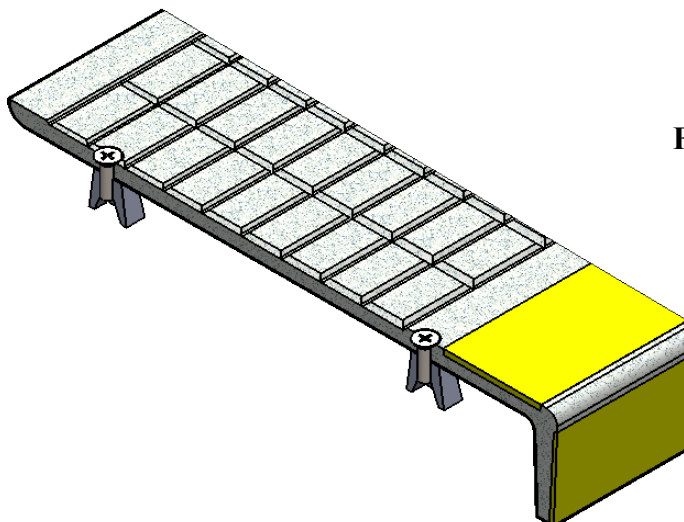
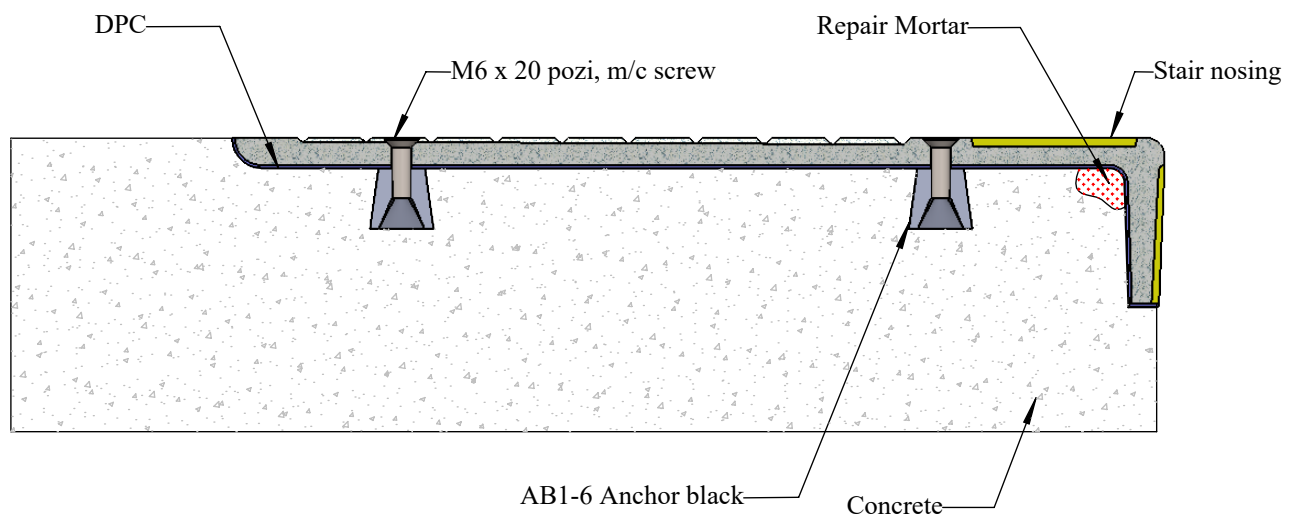


Fig 2. Isometric section view of fixing assembly for stair nosing- SN293/WL/307UR

NB: Nosing's must be installed in such a way that standing water is omitted. Please refer to AATi O&M Manual
All AATi products are subject to our manufacturing tolerances and should be taken into consideration when installing