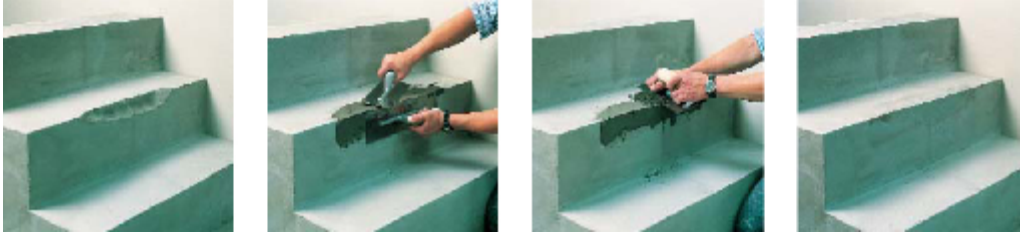


AATi Recommended Installation Guidelines for fixing to concrete

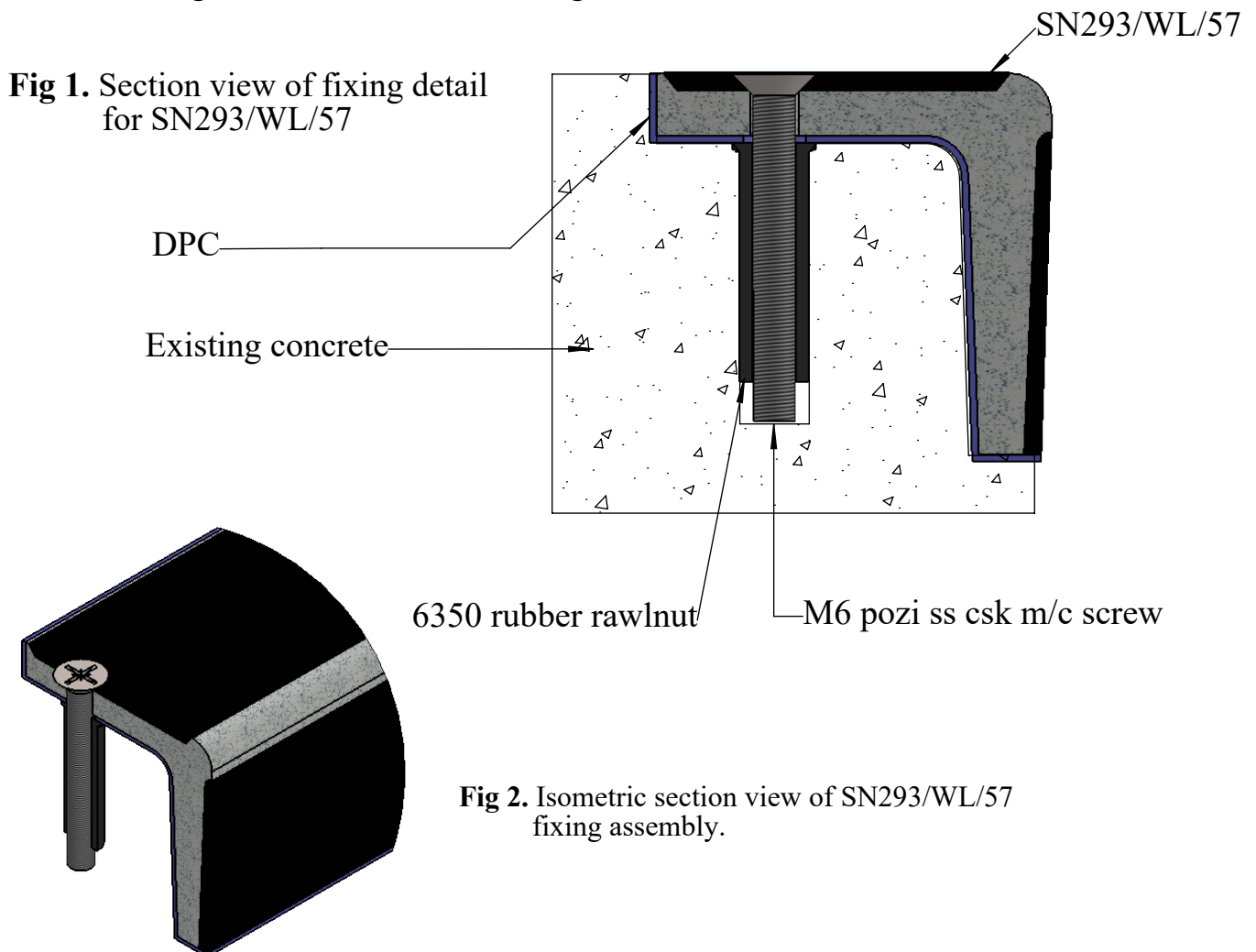


DATE	14/06/16
REVISION	4

1. Remove the existing terrazzo nosing's back to sound.
2. Make good any worn or damaged areas or uneven surfaces with Ardex A46 or similar authorised rapid setting and hardening repair mortar (as below).



3. Position AATi nosing onto step in correct position.
4. Spot through holes using 7mm masonry drill bit.
5. Lift off nosing and drill pilot holes through spotted positions using a 13mm drill bit.
6. Clean out dust/dirt or any other contaminants from hole.
7. Push Rubber Rawlnut type 6350 down into concrete substrate.
9. Apply Damp Proof Course (Rubberoid - Hyload original DPC) to cover the entire internal face of the nosing.
9. Place nosing back into position on step ensuring it is fully supported.
10. Fix by inserting appropriate length (50mm) M6 Pozi stainless steel countersunk machine screw and tighten to form a secure fixing.



NB: Nosing's must be installed in such a way that standing water is omitted. Please refer to AATi O&M Manual
All AATi products are subject to our manufacturing tolerances and should be taken into consideration when installing