

AATi Recommended Installation Guidelines For Retro-fitting TT1/400 Tactile Tiles to concrete.



DATE	07/06/16
REVISION	03

1. Check surface is sound and level.
2. Make good any worn or damaged areas or uneven surfaces with Ardex A46 or similar authorised rapid setting and hardening repair mortar (or similarly approved).
3. Position AATi Tile into in correct position.
4. Spot through holes using 7mm Masonry drill bit.
5. Lift off Tile and drill pilot holes through spotted positions with 7mm Masonry drill bit to an appropriate depth of approximately 50-55mm.
6. Clean out dust/dirt from hole.
7. Insert Brown Rawlplug.
8. Apply Damp Proof Course (Rubberoid - Hyload original DPC) to cover the entire internal face of the Tile.
9. Place Tile back into position on step and ensuring it is fully supported.
10. Fix by inserting appropriate length (2inch) countersunk pozi screw and tighten to form a secure fixing.

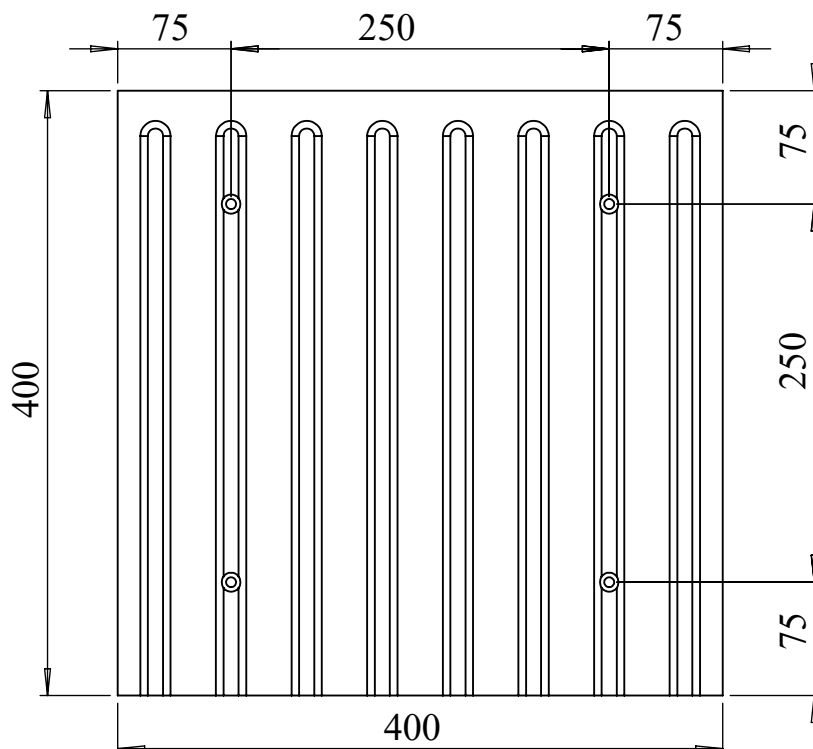
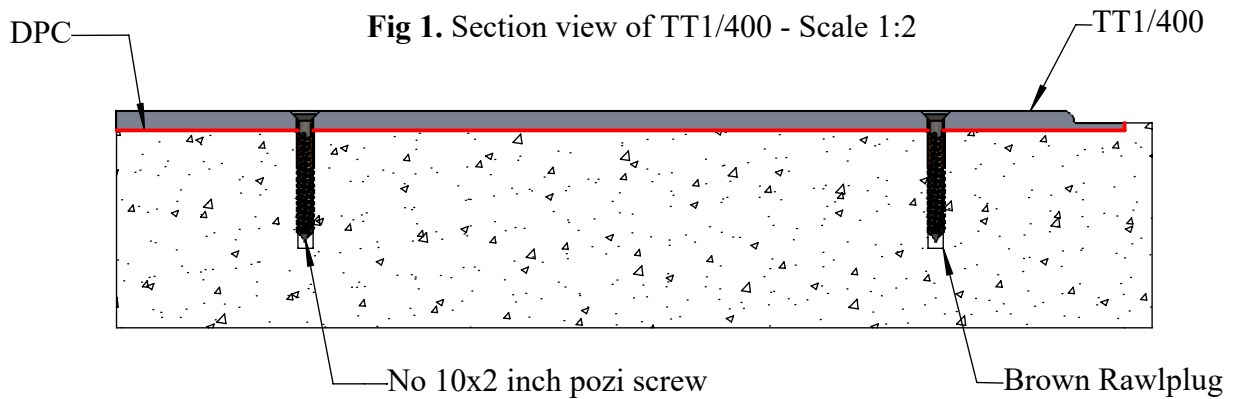


Fig 2. Plan view of typical fixing detail for AATi TT1/400
Scale 1:5

NB: Nosing's must be installed in such a way that standing water is omitted. Please refer to AATi O&M Manual
All AATi products are subject to our manufacturing tolerances and should be taken into consideration when installing