

AATi Recommended Installation Guidelines



| | |
|----------|----------|
| DATE | 07/06/16 |
| REVISION | 3 |

For Retro-fitting TT1/400 Tactile Tiles to wood.

1. Check surface is sound and level.
2. Make good any worn or damaged areas or uneven surfaces with appropriate wood filler.
3. Position AATi Tactile Tile into correct position.
4. Spot through holes using drill bit.
5. Lift off Tile and drill pilot holes through spotted positions using a 4mm drill bit to an approximate depth of 50mm.
6. Clean out dust/dirt from hole.
7. Apply a layer of appropriate bedding compound to cover the internal face of the Tile (as highlighted).
8. Place Tile back into position on step and ensure it is solidly bedded.
9. Fix by inserting appropriate length (2inch) countersunk pozi wood screw and tighten to form a secure fixing.

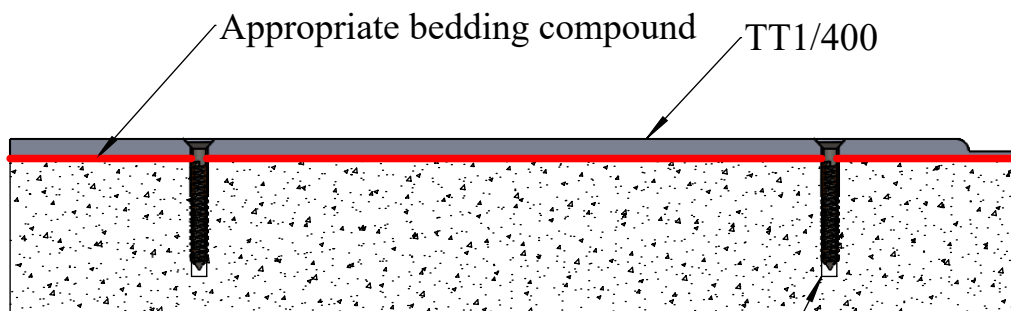


Fig 1. Section view of TT1/400
Scale 1:3

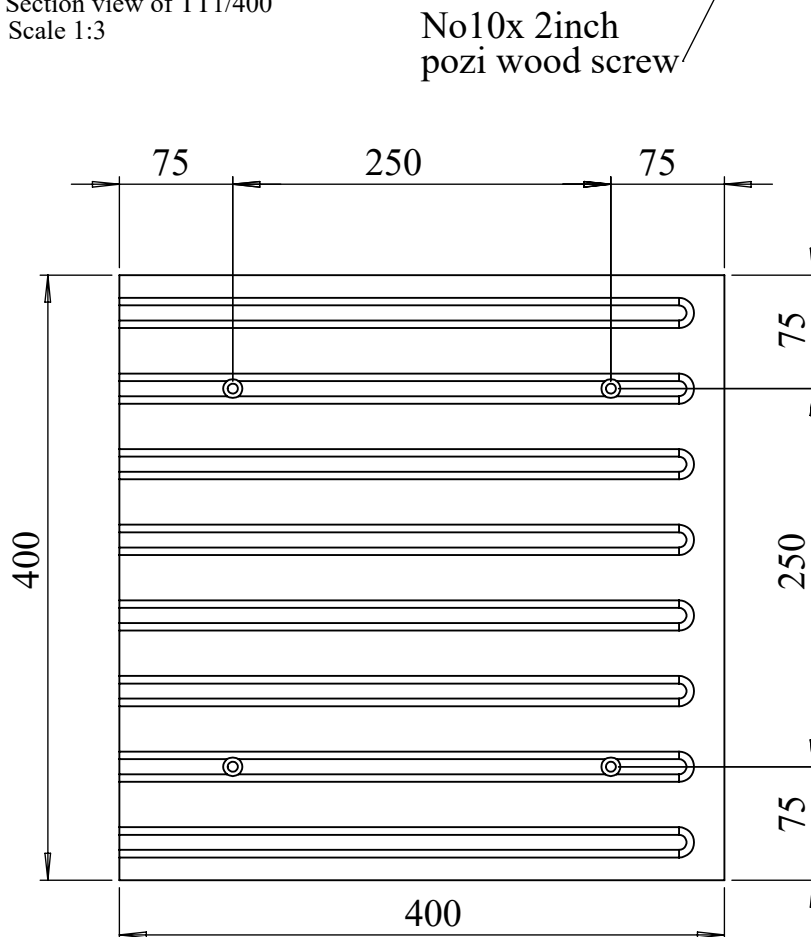


Fig 2. Plan view of TT1/400
Scale 1:5

NB: Nosing's must be installed in such a way that standing water is omitted. Please refer to AATi O&M Manual
All AATi products are subject to our manufacturing tolerances and should be taken into consideration when installing