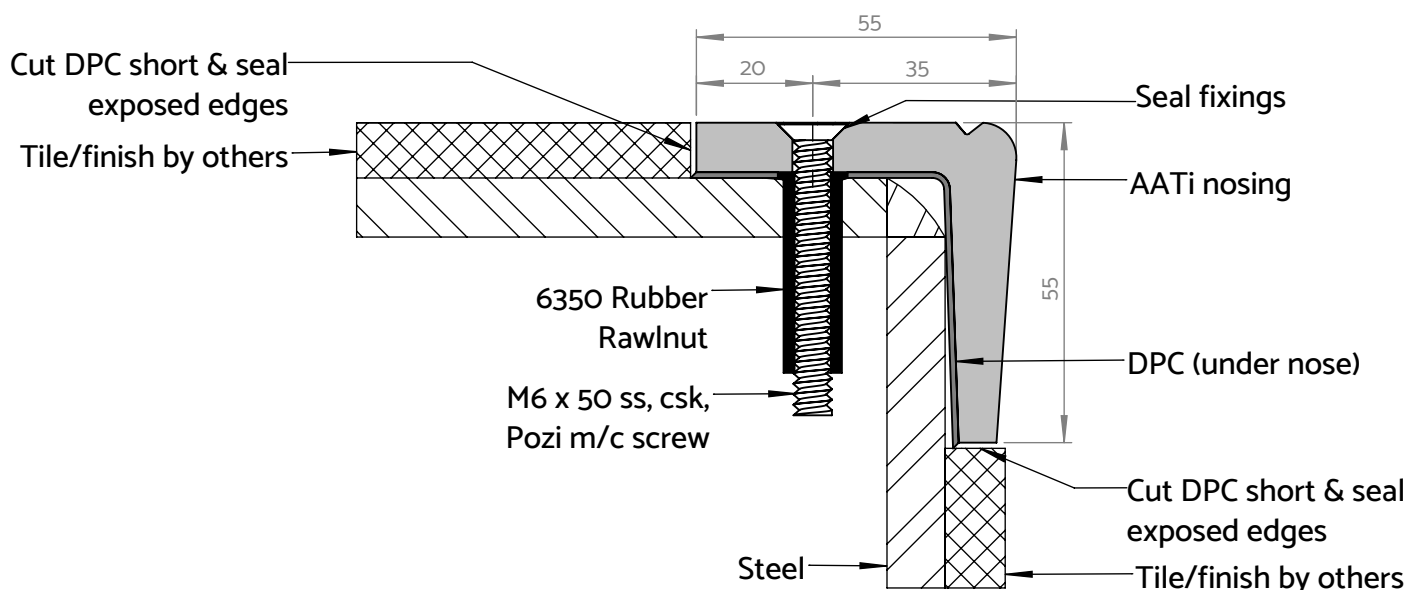


Application: Installing AATi SN9/55 Nosing onto steel substrate with Rawlnuts as per **Fig 1**.

Method

1. Check surface is sound and level.
2. Make good any worn or damaged areas or uneven surfaces with appropriate filler.
3. Position AATi nosing onto step in correct position.
4. Spot through holes using drill bit.
5. Lift off nosing and drill pilot holes through spotted positions using a 13mm drill bit.
6. Clean out dust/dirt or any other contaminants from hole.
7. Push Rubber Rawlnut (typically M6, type 6250 or 6350) into position. *(Type is dependant on thickness of the steel substrate, this can be established by looking at the Rubber Rawlnut technical data sheet).*
8. Apply Damp Proof Course (Rubberoid - Hyload original DPC) to cover the entire internal face of the nosing.
9. Place nosing back into position on step ensuring it is fully supported.
10. Fix by applying clear sealant through fixing holes and then inserting appropriate length M6 stainless steel Pozi countersunk machine screw, tighten to form a secure fixing and wipe away any excess sealant.
11. Seal all other exposed edges with semi-flexible sealant.

Fig 1. Sectional view of SN9/55 fixing with Rubber Rawlnut assembly



NB: Nosing's must be installed in such a way that standing water is omitted. Please refer to AATi O&M Manual
All AATi products are subject to our manufacturing tolerances and should be taken into consideration when installing