

Application: Concrete cast in recess detail for SN93/SL3/140 stair nosing as per **Fig 1 & 2**.

Fig 1. Sectional view of SN93/SL3/140 Recess detail

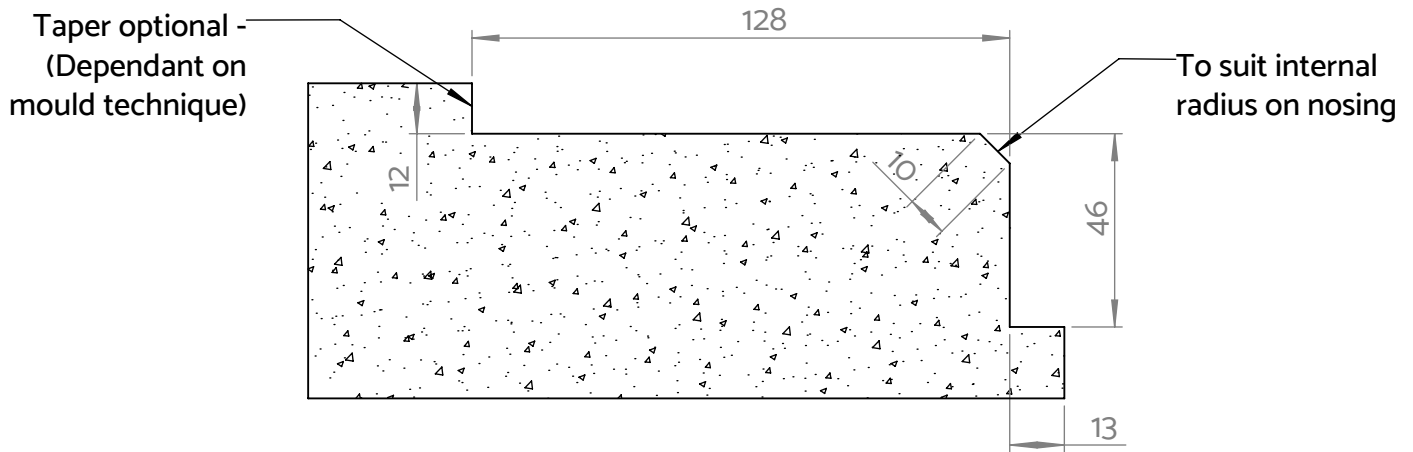
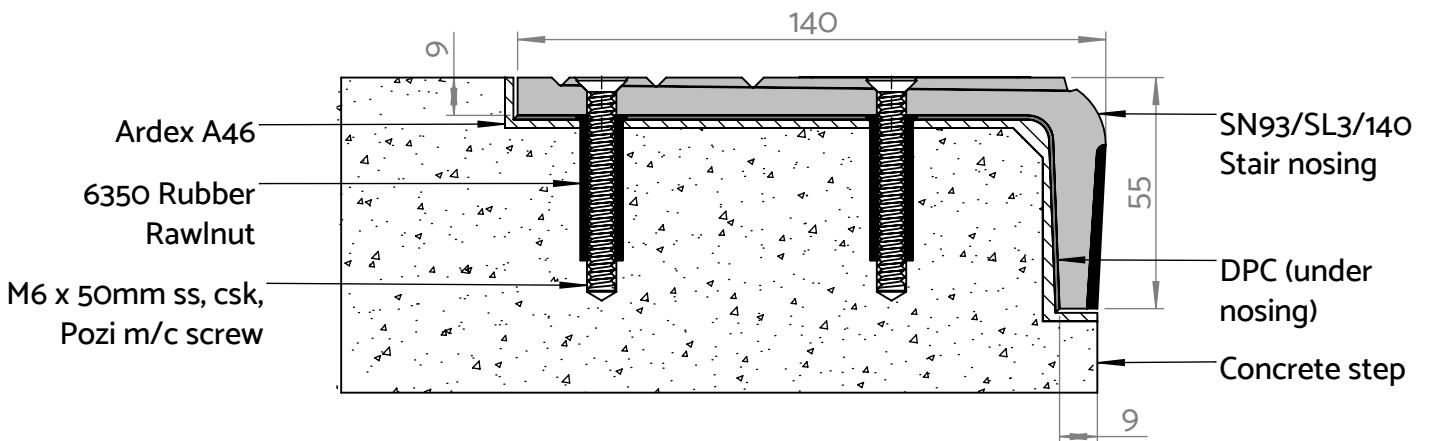


Fig 2. Sectional view of SN93/SL3/140, Recess detail assembly



Notes: Specified grout/bedding compound - Ardex A46 rapid setting mortar. Ardex/grout to be flush with top of nosing. AATi do not recommend solely fixing the nosing with an adhesive & recommend mechanically fixing as shown.